

# NEW!

## KPR-FAST $\varnothing$ 14

## KPS-FAST $\varnothing$ 14

FRAME PLUG  $\varnothing$ 14mm WITH:



HEX & TORX HEAD SCREW:

**KPR-FAST K**



TORX COUNTERSUNK

HEAD SCREW:

**KPS-FAST S**



EUROPEAN TECHNICAL APPROVAL

ETA-12/0272

ETAG 020

**A B C D**

watch video



[wkrret-met.com/frameplugs](http://wkrret-met.com/frameplugs)

### THREAD REDUCTION

- precision drive of the screw
- greater expansion force in the second expansion zone

100% <sup>pure material</sup> nylon

100% secure fixing

360mm length up to



# NEW!

## KPR-FAST $\varnothing$ 14

## KPS-FAST $\varnothing$ 14



ETA-12/0272

ETAG 020  
**A B C D**

100% nylon  
\*\*\*

### RESISTANCE

Substrate	Description	Density [kg/dm <sup>3</sup> ]	Standard	Characteristic pull-out resistance [kN]
	concrete C12/15	≥1,8	EN 206-1	5,0*
	concrete ≥C16/20	≥2,3	EN 206-1	7,5*
	clay brick	≥1,7	EN 771-1	4,0
	clay brick (np. MZ Rd 2,0/20)	≥2,0	EN 771-1	4,0
	calcium silicate brick (np. Kalksandstein KS NF 20-2.0 Vollstein - DIN 106)	≥2,0	EN 771-2	4,0
	calcium silicate hollow block (np. Kalksandstein KS L-R(P) 8 DF Lochstein - DIN 106)	≥1,6	EN 771-2	3,5
	perforated ceramic brick (np. Hlz Rd1 1,2/12)	≥1,2	EN 771-1	2,0
	HBL 2/0.8	≥0,8	EN 771-2	2,0
	autoclaved aerated concrete AAC2	≥0,35	EN 771-4	0,9
	autoclaved aerated concrete AAC7	≥0,65	EN 771-4	3,0

\* RESISTANCE FOR CRACK CONCRETE



**KPR-FAST K ø14 FRAME PLUG WITH HEX & TORX HEAD SCREW**

**NEW!**



ETAG 020  
**A B C D**



**APPLICATION**

For facade fixing of wooden members, battens and cover trims, steel profiles in cavity brick walls.

**SUBSTRATE**



**INSTALLATION DATA**

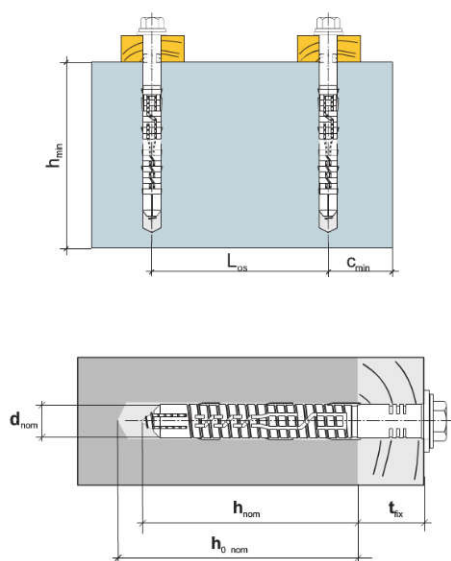
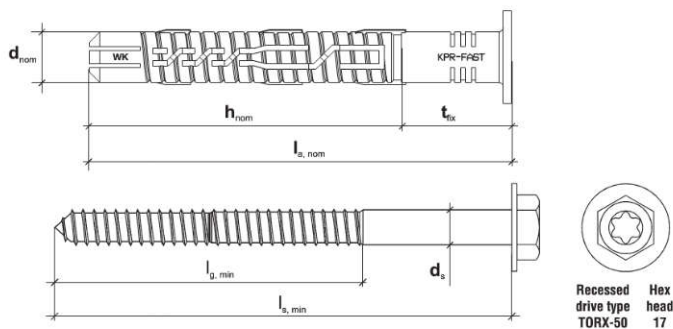
Substrate	Minimum edge distance $c_{min}$ (mm)	Min. member thickness $h_{min}$ (mm)
concrete C20/25	60	100
clay brick,	100	120
calcium silicate brick	100	120
hollow masonry	100	250
AAC	100	250

**SPECIFICATIONS**

Plug material	<b>NYLON</b>
Screw material	steel
Corrosion protection	zinc

**RESISTANCE**

Check out - page 37



**TECHNICAL DATA**

Code and size	Recessed drive type	Hex head	Drill hole diameter $d_{nom}$ [mm]	Plug length $l_s$ [mm]	Screw diameter and length $d_s \times l_s$ [mm]	Minimum depth of drilled hole $h_{0, nom}$ [mm]	Minimum anchorage depth $h_{nom}$ [mm]	Maximum fixture thickness $t_{fx}$ [mm]
KPR-FAST-14080K	TORX50	17	14	80	10,0 x 85	80	70	10
KPR-FAST-14100K	TORX50	17	14	100	10,0 x 105	80	70	30
KPR-FAST-14120K	TORX50	17	14	120	10,0 x 125	80	70	50
KPR-FAST-14140K	TORX50	17	14	140	10,0 x 145	80	70	70
KPR-FAST-14160K	TORX50	17	14	160	10,0 x 165	80	70	90
KPR-FAST-14180K	TORX50	17	14	180	10,0 x 185	80	70	110
KPR-FAST-14200K	TORX50	17	14	200	10,0 x 205	80	70	130
KPR-FAST-14230K	TORX50	17	14	230	10,0 x 235	80	70	160
KPR-FAST-14260K	TORX50	17	14	260	10,0 x 265	80	70	190
KPR-FAST-14300K	TORX50	17	14	300	10,0 x 305	80	70	220
KPR-FAST-14330K	TORX50	17	14	330	10,0 x 335	80	70	250
KPR-FAST-14360K	TORX50	17	14	360	10,0 x 365	80	70	280